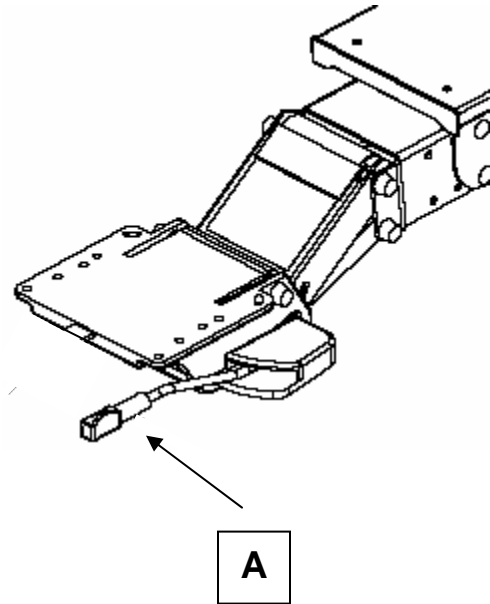


AKT100 (Old style) Adjustment Instructions

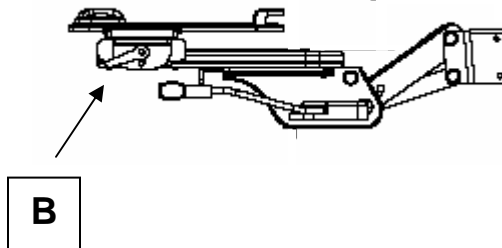


Height and Angle Adjustment:

Move the lever located under the keyboard tray (A) to the left to unlock it. Position the keyboard tray at the height and angle you want, and while holding the keyboard tray in place, move the lever to the right to lock it.

Mouse Tray Height and Angle:

Push the lever located under the mouse tray (B) away from you. (This lever is sometimes very tight and you may need some assistance to move it.) Adjust the height and angle of the mouse tray, and while holding the mouse tray in place, pull the lever towards you to lock it.



Mouse Tray Position: The mouse tray slides on a track and allows you to place the mouse tray over your number keypad. Adjust the height and angle of the mouse tray, following the instructions above, so that it clears your keyboard. Slide the mouse tray to the left.