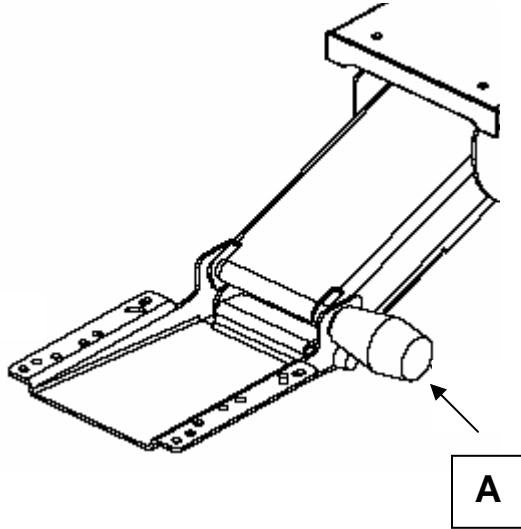
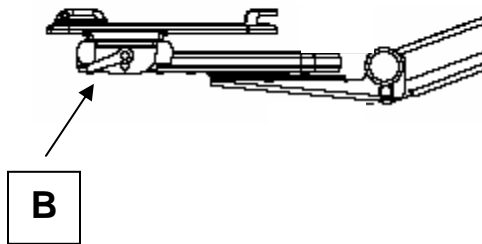


AKT100N (Both Versions) Adjustment Instructions



Height Adjustment: There are no levers needed to adjust the height of the keyboard tray. To raise the tray, lift it to the position you want. To lower the tray, tilt the front of the keyboard tray upwards and lower the tray to the position you want.

Angle Adjustment: Turn the knob located on the right side of the keyboard tray arm (A) away from you to unlock it. Position the keyboard tray at the angle you want, and while holding the keyboard tray in place, turn the knob towards you to lock it.



Mouse Tray Height and Angle: Push the lever located under the mouse tray (B) away from you. (This lever is sometimes very tight and you may need some assistance to move it.) Adjust the height and angle of the mouse tray, and while holding the mouse tray in place, pull the lever towards you to lock it.

Mouse Tray Position: The mouse tray slides on a track and allows you to place the mouse tray over your number keypad. Adjust the height and angle of the mouse tray, following the instructions above, so that it clears your keyboard. Slide the mouse tray to the left.