



freedom[™]

High Performance
Task Seating

Experience true
freedom of
movement without
knobs, locks and
levers.

Automatic Headrest

The dynamic, position-sensitive headrest cradles your head and neck as you recline, and moves out of the way when you sit upright automatically!

Contoured Cushions

The cushions are sculpted to closely follow body contours, which increases contact and decreases concentrated loads. Our optional gel seat cushion maximizes weight distribution and comfort.

Synchronous Armrests

Freedom's body friendly, gel armrests move up and down together and stay with you during recline; always keeping you in supported balance.

Responsive Backrest

The Dual Pivot backrest automatically adapts to the changing needs of your spine during recline.

Body Fit

The seat, back and headrest may be independently positioned to fit your exact body size.

Recline Action

As you recline, you'll maintain a near constant eye level, while the angle between your torso and legs opens up for better body function.

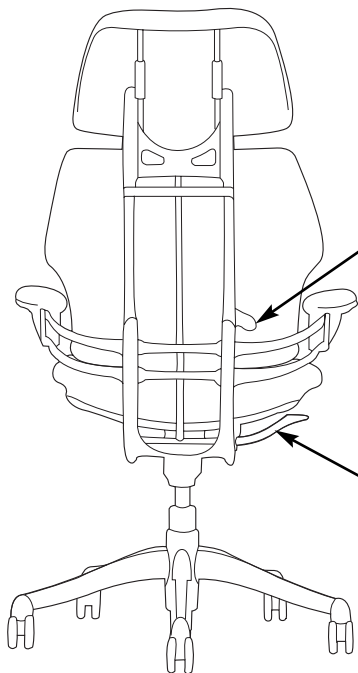
Intelligent Mechanism

Freedom's revolutionary counter-balance mechanism automatically provides the right amount of recline tension for your body size and weight.



ONE SIZE FITS ALL

Custom Fit Instructions



Backrest/Lumbar Support Height

While seated, grasp backrest with both hands on lower corners. Squeeze handle at right with fingertips and move backrest to most comfortable height.

Seat Height

Lift up on lever under right side of seat cushion and position chair to desired height.

Freedom was designed to parallel and support the human body in an infinite number of seated postures. In fact, it's so advanced that it actually *responds* to the way you work and move – automatically!

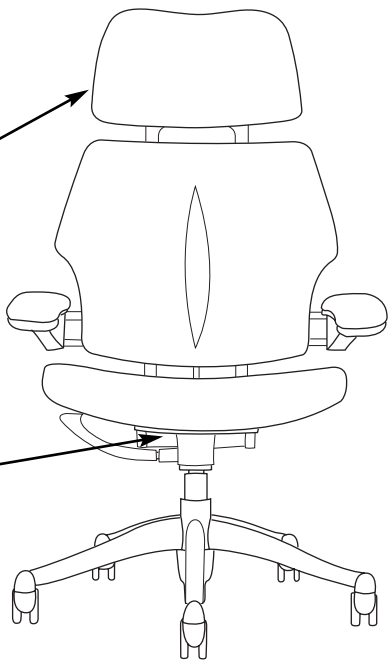
Once you fit the chair to your unique body size, no further manual adjustments are required.

Optional Headrest

Grasp headrest with both hands and move to desired position.

Seat Depth

Lift up on lever under forward edge of seat, and slide seat to desired position.



MOVEMENT

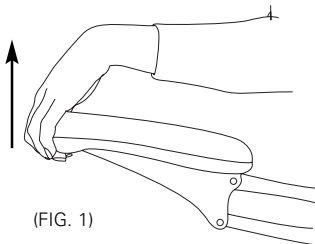
Adjustment Instructions

Synchronous Armrests

Both of the gel-cushioned armrests on Freedom can be adjusted synchronously with one hand, without touching any release buttons.

To Raise (FIG. 1)

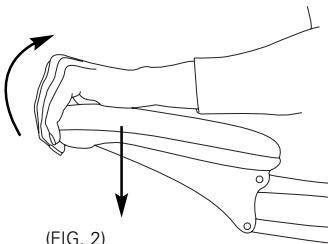
Gently pull upward on the armrests and raise to desired position. They will automatically lock in place when released.



(FIG. 1)

To Lower (FIG 2.)

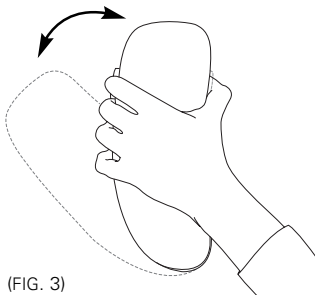
Place hand on armrest as pictured and rotate wrist toward you (as if revving a motorcycle) to disengage. Lower to desired position. The armrests will automatically lock in place when released.



(FIG. 2)

Advanced Armrests (Optional) (FIG. 3)

Slide the buttons on the side of Freedom's optional pivoting armrests inward to lock them in any position within a 35° arc of motion, or slide them outward to unlock them and change position. Note: they can be left unlocked to swing freely—a nice feature when moving frequently between keyboard and mouse.



(FIG. 3)

Infinite Tilt (Optional)

This optional feature allows you to tilt the entire chair 6° forward or 5° further to the rear.

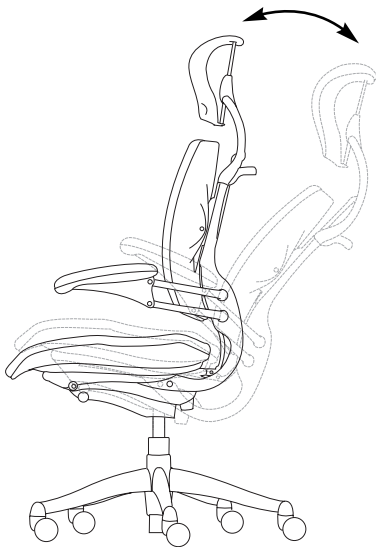
The seat height lever under the right side of the chair doubles as the adjustment control for Infinite Tilt.

Forward Tilt (FIG. 4)

Simply push down on the seat height lever and lift your weight off the seat. The seat pan will tilt forward.

Additional Recline (FIG. 4)

Push down on the seat height lever while sitting to put seat pan into a reclined position.



(FIG. 4)

Creating a more comfortable place to work.

Warranty (US, Canada, Mexico) Limited Lifetime Warranty.

The following Warranty is in lieu of all other warranties express or implied, including, but not limited to, the implied warranty of merchantability and fitness for a particular purpose. Warranty does not cover "Customer's Own Material" (i.e. Fabric specified by buyer).

Humanscale warrants on all seating products:

5 Years: High wear parts: Fabric/Cushions, casters, glides.

Lifetime: All Other Parts

This Warranty is applicable to the initial purchaser only and is non-transferable.

Humanscale warrants that, at the time of customer's acceptance, the product will be in good working order and will be free from defects in material and workmanship and does not apply to normal wear and tear or damage caused by accident, neglect, misuse or improper installation

or operation. Humanscale will not be responsible for damage due to service, maintenance, modifications or tampering by anyone other than a Humanscale authorized representative. This Warranty is based upon a single-8 hour shift usage only and shall be pro-rated for double-shift or triple-shift usage.

In the event a product is defective and Humanscale receives written notice of the defect within the Warranty period, Humanscale, at its option, will either repair or replace the defective product. This Warranty does not cover damage caused by a carrier or transportation of the product from one location to another, or alterations made by owner.

Limitation of Liability

In no event will Humanscale be liable to purchasers for any special, collateral, incidental or consequential damages however caused, whether by Humanscale's negligence or otherwise.

